

Aluminium columns for monitoring installation

Anodising: 10 colours

Finish: brushed anodised aluminium, option of elastomer protection in column's colour up to a height of 350 mm (other height on customer's request) for columns with a base-plate, grounded columns are protected with elastomer as standard

Purpose: for monitoring installation

Diameter of the column ending: $\varnothing 76$ mm

Protection class: IP 54 for the wiring chamber

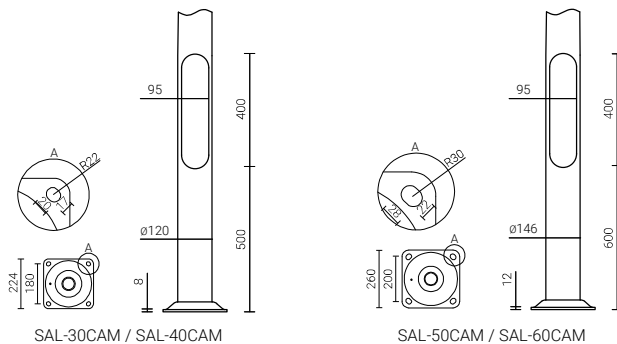
Maximum permissible load: 30 kg

Ending: aluminium cap anodised in column's colour included as standard



Column type	SAL-30CAM	SAL-40CAM	SAL-50CAM	SAL-60CAM
Height of the column [mm]	3 000	4 000	5 000	6 000
Code	42841/C...	42842/C...	42843/C...	42844/C...
Net weight [kg]	12,3	15,7	21,4	25,2
Approximate unit volume [m ³]*	0,093	0,124	0,155	0,186
Concrete footing / reinforcement basket type	B-51 / Z-51			
Threaded anchor ending	4xM18			
Concrete footing / reinforcement basket code	311151 / 311251			
Fasteners	4008			
Dimension of the base plate (side / bolt spacing / thickness) [mm]	260 / 200 / 12			

* For orders of more than 10 pcs. the given volumes may change due to the method of packaging.
/C... - choice of anodising colour



Column: SAL-60CAM



