

Type of luminaire

Type of luminaire	Accessories
Photometric body	Uncovered light.
Characteristics of the luminaire	Classic design luminaire, for mounting on telescoping lighting pole on a adjustable height 1910...2790mm. For lighting gardens, parks and many other architectural concepts.

General information

Materials	Powder painted aluminum cast. Lens - clear polycarbonate, UV stabilized.
Mounting method	Fixing of the luminaire: 3 holes \varnothing 10,5mm, on a diameter \varnothing 240mm every 120°. Set contains: Art. 4012 - luminaire, Art. 3010 - lightning pole. Other accessories need to be purchased separately.
Terminal	Connection terminal: max. 4x2,5mm ² , possibility to connect luminaire in loop max 4x2,5mm ² . A round wire in the isolation with a diameter of max \varnothing 6...12,5mm.
Type of light source	E27 lamp Replaceable light source by an end-user.
Net / gross weight of luminaire	10,05kg / 12,55kg

Technical data

E27 lamp	QA55 / LED A55..67
Light source wattage	MAX 77W / LED 11W

Recommended light sources

Osram LED Parathom Classic / Retrofit E27	Philips Master LEDbulb / Classic / CorePro E27
Osram ECO PRO Classic 77<=>100W E27	Philips ECO Classic 70<=>100W E27

Spare parts

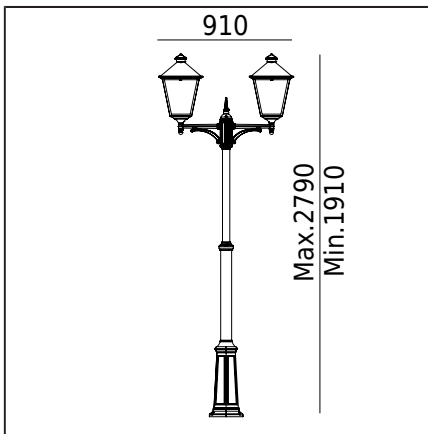
0904800051	Lens.
------------	-------

Files to download

Manual

Indexes

Index	Color	RAL
491B	BLACK	9005
491W	WHITE	9003



Type of luminaire

Type of luminaire	Accessories
Photometric body	Uncovered light.
Characteristics of the luminaire	Classic design luminaire, mounted on a telescopic lighting pole. Adjustable height 1910..2790mm. For lighting gardens, terraces and other architectural concepts.

General information

Materials	Powder painted aluminum cast. Lens - clear polycarbonate, UV stabilized.
Mounting method	Fixing of the luminaire: 3 holes \varnothing 10,5mm, on a diameter \varnothing 240mm every 120°. Set contains: Art. 4024 - luminaire, Art. 3040 - reduction, Art. 3010 - lightning pole. Other accessories need to be purchased separately.
Terminal	Connection terminal: max. 4x2,5mm ² , possibility to connect luminaire in loop max 4x2,5mm ² . A round wire in the isolation with a diameter of max \varnothing 6..12,5mm.
Type of light source	E27 lamp Replaceable light source by an end-user.
Net / gross weight of luminaire	12,91kg / 18,67kg

Technical data

E27 lamp	QA55 / LED A55..67
Light source wattage	MAX 2 X 77W / LED 11W

Recommended light sources

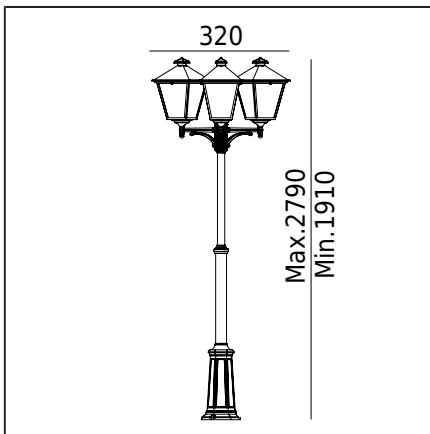
Osram LED Parathom Classic / Retrofit E27	Philips Master LEDbulb / Classic / CorePro E27
Osram ECO PRO Classic 77<=>100W E27	Philips ECO Classic 70<=>100W E27

Spare parts

0904800051	Lens.
------------	-------

Indexes

Index	Color	RAL
492B	BLACK	9005
492GR	GRAPHITE	7016
492W	WHITE	9003



Type of luminaire	
Type of luminaire	Accessories
Photometric body	Uncovered light.
Characteristics of the luminaire	Classic design luminaire, mounted on a telescopic lighting pole. Adjustable height 1910..2790mm. For lighting gardens, terraces and other architectural concepts.

General information	
Materials	Powder painted aluminum cast. Lens - clear polycarbonate, UV stabilized.
Mounting method	Fixing of the luminaire: 3 holes \varnothing 10,5mm, on a diameter \varnothing 240mm every 120°. Set contains: Art. 4024 - luminaire, Art. 3040 - reduction, Art. 3010 - lightning pole. Other accessories need to be purchased separately.
Terminal	Connection terminal: max. 4x2,5mm ² , possibility to connect luminaire in loop max 4x2,5mm ² . A round wire in the isolation with a diameter of max \varnothing 7...12,5mm.
Type of light source	E27 lamp Replaceable light source by an end-user.

Technical data	
E27 lamp	QA55 / LED A55..60
Light source wattage	MAX 3 X 77W / LED 11W

Recommended light sources	
Osram LED Parathom Classic / Retrofit E27	Philips Master LEDbulb / Classic / CorePro E27
Osram ECO PRO Classic 77<=>100W E27	Philips ECO Classic 70<=>100W E27

Spare parts	
0904900051	Lens.

Indexes		
Index	Color	RAL
495B	BLACK	9005
495W	WHITE	9003